

Parts List

Ref	Car	IPN	Description	Ref	Car	IPN	Description	Ref	Car	IPN	Description
C100		220-01717-01	PCB TM8000 216-266MHz M/Brd	C353		015-22120-05	Cap 0805 12p 1% NPO 200v	C431		018-16100-00	Cap 0603 100n 16v x7r + - 10%
C101		018-13150-00	Cap 0603 150p 50v NPO ±5%	C354		015-22120-05	Cap 0805 12p 1% NPO 200v	C433		018-11470-10	Cap 0603 4p7 50v NPO±0.1p
C102		018-13150-00	Cap 0603 150p 50v NPO ±5%	C355		015-22120-05	Cap 0805 12p 1% NPO 200v	C434		018-15100-00	Cap 0603 10n 50v X7r ±10%
C103		015-26100-08	Cap 0603 150p 50v NPO ±5%	C356		018-13470-00	Cap 0603 470p 50v X7r±10%	C435		018-12470-10	Cap 0603 47p 50v NPO ±1%
C201		018-15470-00	Cap Cer 0805 100n 10% X7r 50v	C357		018-13470-00	Cap 0603 470p 50v X7r±10%	C436		018-12120-10	Cap 0603 12p 50v NPO ±1%
C202		015-07470-20	Cap 0603 47n 16v X7r±10%	C358		018-12100-10	Cap 0603 10p 50v NPO±0.1	C438		018-11470-10	Cap 0603 4p7 50v NPO±0.1p
C203		018-16100-00	CAP Cer 1206 4u7 10% 25V X7R	C359		015-24100-08	Cap Cer 0805 1n 10% X7r 50v	C439		018-12220-10	Cap 0603 22p 50v NPO ±1%
C204		018-16100-00	Cap 0603 100n 16v x7r + - 10%	C361		015-22120-05	Cap 0805 12p 1% NPO 200v	C440		018-15100-00	Cap 0603 10n 50v X7r ±10%
C206		018-13680-00	Cap 0603 100n 16v x7r + - 10%	C362		015-22120-05	Cap 0805 12p 1% NPO 200v	C441		018-11820-10	Cap 0603 8p2 50v NPO±0.1p
C207		015-07220-08	Cap 0603 680p 50v X7r±10%	C363		015-22120-05	Cap 0805 12p 1% NPO 200v	C442		018-12270-10	Cap 0603 27p 50v NPO ±1%
C208		018-13680-00	Cap Cer 1206 2u2 16v X7r	C364		018-12220-10	Cap 0603 22p 50v NPO ±1%	C443		018-12270-10	Cap 0603 27p 50v NPO ±1%
C209		018-16100-00	Cap 0603 680p 50v X7r±10%	C365		018-14100-00	Cap 0603 1n 50v X7r ±10%	C444		018-15100-00	Cap 0603 10n 50v X7r ±10%
C210		018-12680-10	Cap 0603 100n 16v x7r + - 10%	C366		018-12100-10	Cap 0603 10p 50v NPO±0.1	C445		018-15100-00	Cap 0603 10n 50v X7r ±10%
C211		018-16100-00	Cap 0603 68p 50v NPO ±1%	C368		018-12120-10	Cap 0603 12p 50v NPO ±1%	C446		018-15100-00	Cap 0603 10n 50v X7r ±10%
C212		015-07470-20	Cap 0603 100n 16v x7r + - 10%	C369		015-21560-05	Cap Cer 0805 5p6 +0.1pf 200v	C448		018-13100-10	Cap 0603 100p 50v NPO±1%
C213		018-16100-00	CAP Cer 1206 4u7 10% 25V X7R	C370		015-21470-05	Cap Cer 0805 4p7+-0.1pf 200v	C449		018-15100-00	Cap 0603 10n 50v X7r ±10%
C214		018-16100-00	Cap 0603 100n 16v x7r + - 10%	C371		015-21560-05	Cap Cer 0805 5p6 +0.1pf 200v	C450		018-13100-10	Cap 0603 100p 50v NPO±1%
C215		018-16100-00	Cap 0603 100n 16v x7r + - 10%	C372		015-21680-05	Cap Cer 0805 6p8+-0.1pf 200v	C451		018-12560-10	Cap 0603 56p 50v NPO ±1%
C216		018-16100-00	Cap 0603 100n 16v x7r + - 10%	C373		015-21680-05	Cap Cer 0805 6p8+-0.1pf 200v	C453		018-12560-10	Cap 0603 56p 50v NPO ±1%
C217		018-16100-00	Cap 0603 100n 16v x7r + - 10%	C374		015-21680-05	Cap Cer 0805 6p8+-0.1pf 200v	C454		018-13180-00	Cap 0603 180p 50v NPO±5%
C218		018-14100-00	Cap 0603 100n 16v x7r + - 10%	C375		015-21680-05	Cap Cer 0805 6p8+-0.1pf 200v	C455		018-15100-00	Cap 0603 10n 50v X7r ±10%
C219		018-16100-00	Cap 0603 1n 50v X7r ±10%	C376		015-21680-05	Cap Cer 0805 6p8+-0.1pf 200v	C456		018-11680-10	Cap 0603 6p8 50v NPO±0.1p
C220		018-16100-00	Cap 0603 100n 16v x7r + - 10%	C377		015-21680-05	Cap Cer 0805 6p8+-0.1pf 200v	C457		018-16100-00	Cap 0603 100n 16v x7r + - 10%
C221		018-16100-00	Cap 0603 100n 16v x7r + - 10%	C378		015-21470-05	Cap Cer 0805 4p7+-0.1pf 200v	C458		018-16100-00	Cap 0603 100n 16v x7r + - 10%
C222		018-13100-10	Cap 0603 100p 50v NPO±1%	C379		015-21470-05	Cap Cer 0805 6p8+-0.1pf 200v	C459		018-16100-00	Cap 0603 100n 16v x7r + - 10%
C223		018-16100-00	Cap 0603 100n 16v x7r + - 10%	C380		015-21680-05	Cap Cer 0805 6p8+-0.1pf 200v	C460		018-16100-00	Cap 0603 100n 16v x7r + - 10%
C224		015-27100-10	Cap Cer 0805 1m+80-20% Y5v 16v	C381		015-21680-05	Cap Cer 0805 6p8+-0.1pf 200v	C461		018-15100-00	Cap 0603 10n 50v X7r ±10%
C225		018-16100-00	Cap Cer 0805 1m+80-20% Y5v 16v	C382		015-21680-05	Cap Cer 0805 6p8+-0.1pf 200v	C462		018-11560-10	Cap 0603 5p6 50v NPO±0.1p
C226		018-16100-00	Cap 0603 100n 16v x7r + - 10%	C383		015-21820-05	Cap Cer 0805 8p2+-0.1pf 200v	C463		018-16100-00	Cap 0603 100n 16v x7r + - 10%
C227		018-16100-00	Cap 0603 100n 16v x7r + - 10%	C384		015-21560-05	Cap Cer 0805 5p6 +0.1pf 200v	C464		018-13150-00	Cap 0603 150p 50v NPO ±5%
C228		015-26100-08	Cap 0603 100n 16v x7r + - 10%	C385		015-21470-05	Cap Cer 0805 4p7+-0.1pf 200v	C465		018-13150-00	Cap 0603 150p 50v NPO ±5%
C231		015-27100-08	Cap Cer 0805 100n 10% X7r 50v	C386		015-21560-05	Cap Cer 0805 5p6 +0.1pf 200v	C466		018-13270-00	Cap 0603 270p 50v NPO±5%
C300		018-15100-00	Cap Cer 0805 X7R 1uF 16V 10%	C388		018-14470-00	Cap 0603 4n7 50v X7r±10%	C467		018-12100-10	Cap 0603 10p 50v NPO±0.1
C301		018-15100-00	Cap 0603 10n 50v X7r ±10%	C389		015-22220-01	Cap Cer 0805 22p 5% NPO 50v	C468		018-11220-10	Cap 0603 2p2 50v NPO±0.1p
C302		018-15100-00	Cap 0603 10n 50v X7r ±10%	C391		018-16100-00	Cap 0603 100n 16v x7r + - 10%	C470		018-16100-00	Cap 0603 100n 16v x7r + - 10%
C303		018-13150-00	Cap 0603 150p 50v NPO ±5%	C392		018-16100-00	Cap 0603 100n 16v x7r + - 10%	C471		018-15100-00	Cap 0603 10n 50v X7r ±10%
C304		018-11120-10	Cap 0603 1p2 50v NPO±0.1p	C393		018-16100-00	Cap 0603 100n 16v x7r + - 10%	C472		018-16100-00	Cap 0603 100n 16v x7r + - 10%
C305		018-16100-00	Cap 0603 100n 16v x7r + - 10%	C394		018-15470-00	Cap 0603 47n 16v X7r±10%	C473		018-16100-00	Cap 0603 100n 16v x7r + - 10%
C306		018-15100-00	Cap 0603 10n 50v X7r ±10%	C398F		015-21820-05	Cap Cer 0805 8p2+-0.1pf 200v	C474		018-16100-00	Cap 0603 100n 16v x7r + - 10%
C307		018-14100-00	Cap 0603 1n 50v X7r ±10%	C398J		015-02680-07	Cap Cer 1111 68p 5% 500v C17cf	C500		018-15470-00	Cap 0603 47n 16v X7r±10%
C308		018-13470-00	Cap 0603 470p 50v X7r±10%	C398K		015-02680-07	Cap Cer 1111 68p 5% 500v C17cf	C501		018-16100-00	Cap 0603 100n 16v x7r + - 10%
C309		018-12220-10	Cap 0603 22p 50v NPO ±1%	C398N		015-21820-05	Cap Cer 0805 8p2+-0.1pf 200v	C502		018-16100-00	Cap 0603 100n 16v x7r + - 10%
C310		018-14100-00	Cap 0603 1n 50v X7r ±10%	C398P		015-21820-05	Cap Cer 0805 8p2+-0.1pf 200v	C503		018-16100-00	Cap 0603 100n 16v x7r + - 10%
C311		018-13270-00	Cap 0603 270p 50v NPO±5%	C398R		015-21820-05	Cap Cer 0805 8p2+-0.1pf 200v	C504		014-07470-05	Cap Tant SMD 4u7 16v 10% A
C312		018-15100-00	Cap Cer 0805 8p2+-0.1pf 200v	C399C		015-21820-05	Cap Cer 0805 8p2+-0.1pf 200v	C505		015-27100-10	Cap Cer 0805 1m+80-20% Y5v 16v
C313		018-15100-00	Cap Cer 0805 8p2+-0.1pf 200v	C399D		015-21820-05	Cap Cer 0805 8p2+-0.1pf 200v	C506		018-16100-00	Cap 0603 100n 16v x7r + - 10%
C314		018-12560-10	Cap 0603 10n 50v X7r ±10%	C399E		015-21820-05	Cap Cer 0805 8p2+-0.1pf 200v	C507		018-15100-00	Cap 0603 10n 50v X7r ±10%
C315		018-13150-00	Cap 0603 56p 50v NPO ±1%	C399F		015-21820-05	Cap Cer 0805 8p2+-0.1pf 200v	C508		018-13150-00	Cap 0603 150p 50v NPO ±5%
C316		018-15100-00	Cap 0603 150p 50v NPO ±5%	C400		018-11820-10	Cap 0603 8p2 50v NPO±0.1p	C509		018-15100-00	Cap 0603 10n 50v X7r ±10%
C317		015-22220-01	Cap 0603 10n 50v X7r ±10%	C401		018-12220-10	Cap 0603 22p 50v NPO ±1%	C510		018-15100-00	Cap 0603 10n 50v X7r ±10%
C318		015-24100-08	Cap Cer 0805 22p 5% NPO 50v	C402		018-11470-10	Cap 0603 4p7 50v NPO±0.1p	C511		018-12390-10	Cap 0603 39p 50v NPO ±1%
C319		018-12100-10	Cap Cer 0805 1n 10% X7r 50v	C403		018-12470-10	Cap 0603 47p 50v NPO ±1%	C512		018-12120-10	Cap 0603 12p 50v NPO ±1%
C322		018-14100-00	Cap 0603 10p 50v NPO±0.1	C404		018-15100-00	Cap 0603 10n 50v X7r ±10%	C513		018-13150-00	Cap 0603 150p 50v NPO ±5%
C323		018-16100-00	Cap 0603 1n 50v X7r ±10%	C405		018-11820-10	Cap 0603 8p2 50v NPO±0.1p	C514		018-12470-10	Cap 0603 47p 50v NPO ±1%
C324		018-13470-00	Cap 0603 100n 16v x7r + - 10%	C408		018-14100-00	Cap 0603 1n 50v X7r ±10%	C516		018-16100-00	Cap 0603 100n 16v x7r + - 10%
C325		015-26100-08	Cap 0603 470p 50v X7r±10%	C409		018-15100-00	Cap 0603 10n 50v X7r ±10%	C517		018-16100-00	Cap 0603 100n 16v x7r + - 10%
C326		015-24100-08	Cap Cer 0805 100n 10% X7r 50v	C410		018-16100-00	Cap 0603 100n 16v x7r + - 10%	C518		018-12100-10	Cap 0603 10p 50v NPO±0.1
C327		015-24100-08	Cap Cer 0805 1n 10% X7r 50v	C411		018-15100-00	Cap 0603 10n 50v X7r ±10%	C519		018-13150-00	Cap 0603 150p 50v NPO ±5%
C330		015-26100-08	Cap Cer 0805 1n 10% X7r 50v	C412		018-16100-00	Cap 0603 100n 16v x7r + - 10%	C520		018-52220-02	Cap 0603 22p 50v Ntc ±2% T2h
C331		015-22270-01	Cap Cer 0805 100n 10% X7r 50v	C413		018-14100-00	Cap 0603 1n 50v X7r ±10%	C522		018-12270-10	Cap 0603 27p 50v NPO ±1%
C333		015-24100-08	Cap Cer 0805 27p 5% NPO 50v	C414		018-12270-10	Cap 0603 27p 50v NPO ±1%	C523		018-12270-10	Cap 0603 27p 50v NPO ±1%
C334		015-22270-01	Cap Cer 0805 1n 10% X7r 50v	C415		018-15150-00	Cap 0603 15n 50v X7r ±10%	C524		018-12150-10	Cap 0603 15p 50v NPO ±1%
C335		018-13150-00	Cap Cer 0805 27p 5% NPO 50v	C416		018-12820-10	Cap 0603 82p 50v NPO ±1%	C525		018-13150-00	Cap 0603 150p 50v NPO ±5%
C336		018-14100-00	Cap 0603 150p 50v NPO ±5%	C417		018-16100-00	Cap 0603 100n 16v x7r + - 10%	C526		018-15100-00	Cap 0603 10n 50v X7r ±10%
C338		018-14100-00	Cap 0603 1n 50v X7r ±10%	C418		018-16100-00	Cap 0603 100n 16v x7r + - 10%	C527		018-15330-00	Cap 0603 33n 50v X7r10%
C339		018-14100-00	Cap 0603 1n 50v X7r ±10%	C419		018-16100-00	Cap 0603 100n 16v x7r + - 10%	C528		018-16100-00	Cap 0603 100n 16v x7r + - 10%
C340		018-14100-00	Cap 0603 1n 50v X7r ±10%	C420		018-11820-10	Cap 0603 8p2 50v NPO±0.1p	C529		018-16100-00	Cap 0603 100n 16v x7r + - 10%
C341		018-13220-00	Cap 0603 1n 50v X7r ±10%	C421		018-15100-00	Cap 0603 10n 50v X7r ±10%	C530		018-15100-00	Cap 0603 10n 50v X7r ±10%
C342		018-13220-00	Cap 0603 220p 50v NPO±5%	C422		018-12220-10	Cap 0603 22p 50v NPO ±1%	C531		015-07470-08	Cap 1206 4u7 -20%+80% Y5v 16v
C343		018-13220-00	Cap 0603 220p 50v NPO±5%	C423		018-15100-00	Cap 0603 10n 50v X7r ±10%	C532		018-12330-10	Cap 0603 33p 50v NPO ±1%
C344		018-13220-00	Cap 0603 220p 50v NPO±5%	C424		018-11470-10	Cap 0603 4p7 50v NPO±0.1p	C533		018-16100-00	Cap 0603 100n 16v x7r + - 10%
C346		018-13470-00	Cap 0603 220p 50v NPO±5%	C425		018-12180-10	Cap 0603 18p 50v NPO ±1%	C534		018-13330-00	Cap 0603 330p 50v X7r±10%
C347		018-13470-00	Cap 0603								

Parts List

PCB IPN 220-01717-01

Ref	Car	IPN	Description	Ref	Car	IPN	Description	Ref	Car	IPN	Description	Ref	Car	IPN	Description
C540		018-16100-00	Cap 0603 100n 16v x7r + - 10%	C733		015-26100-08	Cap Cer 0805 100n 10% X7r 50v	D5002		001-10006-39	Diode SMD BB639 Vcap SOD323	L5045		059-15560-00	Ind SMD 0603hs 56nh 5%
C541		018-15100-00	Cap 0603 10n 50v X7r ±10%	C3001		018-13150-00	Cap 0603 150p 50v NPO ±5%	D5003		001-10006-39	Diode SMD BB639 Vcap SOD323	L505		059-17820-10	Ind SMD 1008ls 8.2uh 5%
C542		018-16100-00	Cap 0603 100n 16v x7r + - 10%	C3003		016-08100-03	Cap Elec SMD 10uF 35V 105/2000	D5004		001-10018-05	Diode BAT18-05 Dual Com Cat	L506		057-10010-20	Ind 0603 Blm11-B102s 0.1a
C543		018-16100-00	Cap 0603 100n 16v x7r + - 10%	C3006		018-13150-00	Cap 0603 150p 50v NPO ±5%	DIG_BCAN		319-01258-00	Shld Can Dglt TMA	L507		059-15270-00	Ind SMD 0603hs 27nh 5%
C544		014-07100-02	Cap Tant SMD 1u0 16v 20% A	C3017		015-22820-01	Cap Cer 0805 82p 5% NPO 50v	DIG_TCAN		319-01258-00	Shld Can Dglt TMA	L522		059-15270-00	Ind SMD 0603hs 27nh 5%
C545		018-12100-10	Cap 0603 10p 50v NPO±0.1	C3018		015-22820-01	Cap Cer 0805 82p 5% NPO 50v	DIRC_TOP		319-01255-00	Shld Can Direc-Coup TMA	L600		057-10600-05	Ind 0603 Blm11p600s .5a F/Bead
C546		018-16100-00	Cap 0603 100n 16v x7r + - 10%	C3034		015-21150-05	Cap Cer 0805 1p5 +0.1pf 200v	FCL_TOP		319-01257-00	Shld Can Frt End TMA	L601		057-10100-65	Ind SMD Pwr Cdrh6D38 100UH .65
C548		013-16330-65	Cap SMD PPS 330n 50V 5% 4036	C5000		018-16100-00	Cap 0603 100n 16v x7r + - 10%	FE_TOP		319-01257-00	Shld Can Frt End TMA	L602		057-10010-45	Ind SMD Pwr CDRH2D18 10UH .43A
C549		018-11330-10	Cap 0603 3p3 50v NPO±0.1p	C5001		018-16100-00	Cap 0603 100n 16v x7r + - 10%	HS300		316-85137-01	Plate Copper Heat TMA	L700		057-10010-20	Ind 0603 Blm11-B102s 0.1a
C550		015-07470-20	CAP Cer 1206 4u7 10% 25V X7R	C5002		018-11100-10	Cap 0603 1p0 50v NPO±0.1p	IC200	TM8100	not fitted		L701		057-10010-20	Ind 0603 Blm11-B102s 0.1a
C551		018-13150-00	Cap 0603 150p 50v NPO ±5%	C5003		018-12820-10	Cap 0603 2p2 50v NPO ±1%	IC200	TM8200	002-15468-23	IC DPOT MAX5468 10K 32-T SOT23	L702		057-10010-20	Ind 0603 Blm11-B102s 0.1a
C554		018-12100-10	Cap 0603 10p 50v NPO±0.1	C5004		018-11270-10	Cap 0603 2p7 50v NPO±0.1p	IC201		002-20103-24	IC BA10324 4x Op Amp Ssop-14	L703		057-10010-20	Ind 0603 Blm11-B102s 0.1a
C555		018-15150-00	Cap 0603 15n 50v X7r ±10%	C5006		018-12330-10	Cap 0603 33p 50v NPO ±1%	IC202		002-10151-90	IC SMD TDA1519C 2x11w Aud Pwr	L704		057-10010-20	Ind 0603 Blm11-B102s 0.1a
C556		018-13150-00	Cap 0603 150p 50v NPO ±5%	C5007		018-12270-10	Cap 0603 27p 50v NPO ±1%	IC203		002-16236-70	IC M62367GP 8bit 8ch D-A Ssop	L706		057-10010-20	Ind 0603 Blm11-B102s 0.1a
C558		018-13150-00	Cap 0603 150p 50v NPO ±5%	C5008		018-14100-00	Cap 0603 1n 50v X7r ±10%	IC204		002-10065-21	IC AD6521ACA Dual Codec	L707		057-10010-20	Ind 0603 Blm11-B102s 0.1a
C562		018-13150-00	Cap 0603 150p 50v NPO ±5%	C5009		018-11100-10	Cap 0603 1p0 50v NPO±0.1p	IC205		002-10045-50	IC SMD AK455OVT Codec Tssop-16	L708		057-10010-20	Ind 0603 Blm11-B102s 0.1a
C565		013-16100-05	Cap SMD PPS 100n 16v 5% 1210	C5011		018-14100-00	Cap 0603 1n 50v X7r ±10%	IC301		002-20103-24	IC BA10324 4x Op Amp Ssop-14	L709		057-10010-20	Ind 0603 Blm11-B102s 0.1a
C566		018-13150-00	Cap 0603 150p 50v NPO ±5%	C5012		018-13150-00	Cap 0603 150p 50v NPO ±5%	IC303		002-10103-24	IC BA10324 4x Op Amp Ssop-14	L711		057-10010-20	Ind 0603 Blm11-B102s 0.1a
C579		014-07470-05	Cap Tant SMD 4u7 16v 10% A	C5014		018-14100-00	Cap 0603 1n 50v X7r ±10%	IC400		002-10266-70	IC SMD RF2667 Quad Demod Q-Sop	L5000		059-16820-10	Ind SMD 1008cs 820nh 5%
C583		018-12120-10	Cap 0603 12p 50v NPO ±1%	C5016		018-14100-00	Cap 0603 1n 50v X7r ±10%	IC403		002-10160-10	IC SMD LMX1601 Dual Pll Tssop	L5001		059-15470-15	Ind SMD 1008cs 47nh 2%
C584		018-11470-10	Cap 0603 4p7 50v NPO±0.1p	C5017		018-14100-00	Cap 0603 1n 50v X7r ±10%	IC500		002-74910-41	IC SMD 74V1G04 Inverter SC70	L5002		059-74390-35	Ind SMD 0603 3.9nh 5% Swi C
C585		014-07470-05	Cap Tant SMD 4u7 16v 10% A	C5018		018-14100-00	Cap 0603 1n 50v X7r ±10%	IC501		002-74916-60	IC SMD 74HC1G66 Bilat Sw Sc70	L5003		059-74390-35	Ind SMD 0603 3.9nh 5% Swi C
C587		018-12120-10	Cap 0603 12p 50v NPO ±1%	C5030		018-14100-00	Cap 0603 1n 50v X7r ±10%	IC502		002-10072-20	IC LMV722 2XOPAMP L/Noise Msop	L5004		059-16820-10	Ind SMD 1008cs 820nh 5%
C600		015-07220-35	Cap Cer 1210 2u2 X5R 35v	C5031		018-14100-00	Cap 0603 1n 50v X7r ±10%	IC503		002-14111-00	IC SMD ADF4111BRU PLL Tssop16	L5005		059-16820-10	Ind SMD 1008cs 820nh 5%
C601		018-16100-00	Cap 0603 100n 16v x7r + - 10%	C5043		018-11220-10	Cap 0603 2p2 50v NPO±0.1p	IC504		002-10040-66	IC SMD 4066 Quad Bilat Sw S014	L5006		059-15560-00	Ind SMD 0603hs 56nh 5%
C602		018-16100-00	Cap 0603 100n 16v x7r + - 10%	C5044		018-12330-10	Cap 0603 33p 50v NPO ±1%	IC505		002-10227-21	IC SMD TLC2272CPW 0-amp	L5007		057-10010-20	Ind 0603 Blm11-B102s 0.1a
C603		018-16100-00	Cap 0603 100n 16v x7r + - 10%	CDC_BOT		319-01208-02	Shld Synth/lf T/Orca	IC600		002-13823-33	IC TPS3823-33 3V3 Reset/Wdt	L5008		057-10010-20	Ind 0603 Blm11-B102s 0.1a
C604		016-09100-07	Cap Elec SMD 100u 35v Loesr	CDC_TOP		319-01208-02	Shld Synth/lf T/Orca	IC601		002-10009-00	IC LF90CPT V/LO DROP Out 9VREG	LK1		036-10000-00	RES 0805 OR 1/8W
C605		015-26100-08	Cap Cer 0805 100n 10% X7r 50v	D301		001-10099-01	Diode BAV99w Dual Ss	IC602		002-12674-33	IC SMD LM2674 3V3 .5a Smps S08	LK2		036-10000-00	RES 0805 OR 1/8W
C606		015-26100-08	Cap Cer 0805 100n 10% X7r 50v	D302		001-10841-10	Diode SMD BZX84C11v ZEN SOT23	IC603		002-10792-30	IC TPS79230 3V0 LDD 100mA Reg	LK3		036-10000-00	RES 0805 OR 1/8W
C608		018-15100-00	Cap 0603 10n 50v X7r ±10%	D304		001-10070-07	Diode BAS70-07w Dualsch SOT343	IC604		002-10792-25	IC TPS79225 2V5 LDD 100mA Reg	LK5		036-10000-00	RES 0805 OR 1/8W
C609		018-16100-00	Cap 0603 100n 16v x7r + - 10%	D305		001-10070-07	Diode BAS70-07w Dualsch SOT343	IC605		000-10511-00	Xstr SMD IPS511S MOSFET Switch	LK7		036-10000-00	RES 0805 OR 1/8W
C610		018-16100-00	Cap 0603 100n 16v x7r + - 10%	D307		001-10012-50	Diode SMD MA4P1250 Pin3x2mm	IC606		002-11126-00	IC Smd LK112M60TR 6V 150mA Reg	LO2_BOT		319-01210-00	Shld Low Pass Fltr T/Orca
C611		014-07470-05	Cap Tant SMD 4u7 16v 10% A	D310		001-10012-50	Diode SMD MA4P1250 Pin3x2mm	IF_TOP		319-01256-00	Shld Can lf TMA	LPF_TOP		319-01251-00	Shld Can Lpf TMA
C613		014-08100-30	Cap Tant SMD 100u 10v Loesr D	D311		001-10070-01	Diode BAV70W Dual Ss SOT323	L100		057-10010-20	Ind 0603 Blm11-B102s 0.1a	MCM1	TM8100	XMABP10	Rmb TMA 40x41 EP1C6x5402
C614		018-16100-00	Cap 0603 100n 16v x7r + - 10%	D400		001-10099-01	Diode BAV99w Dual Ss	L101		057-10010-20	Ind 0603 Blm11-B102s 0.1a	MCM1	TM8200	XMABP20	Rmb TMA 40x41 EP1C12x5402
C615		018-16100-00	Cap 0603 100n 16v x7r + - 10%	D401		001-10066-02	Diode SMD BBY66-02v Vcap Sc-79	L102		057-10010-20	Ind 0603 Blm11-B102s 0.1a	PAD_TOP		319-01254-00	Shld Can Pad TMA
C616		015-07220-08	Cap Cer 1206 2u2 16v X7r	D402		001-10066-02	Diode SMD BBY66-02v Vcap Sc-79	L104		057-10081-06	Ind 1806 Blm41p750s Emi Supr	PAF_TOP		319-01253-00	Shld Can Paf TMA
C617		015-07220-08	Cap Cer 1206 2u2 16v X7r	D403		001-10066-02	Diode SMD BBY66-02v Vcap Sc-79	L200		057-10010-20	Ind 0603 Blm11-B102s 0.1a	PIN_TOP		319-01252-00	Shld Can Pin Sw TMA
C618		018-16100-00	Cap 0603 100n 16v x7r + - 10%	D404		001-10066-02	Diode SMD BBY66-02v Vcap Sc-79	L300		059-16270-00	Ind SMD 0603cs 270nh 5%	PL100		240-00027-01	Conn 4way Power Male TMA
C619		018-16100-00	Cap 0603 100n 16v x7r + - 10%	D405		001-10015-00	Diode SMD BAT15-099R Sch	L302		059-75220-35	Ind SMD 0603 22nh 5% Swi C	Q200		000-10084-72	Xstr BC847BS NPN Dual SOT363
C620		018-15100-00	Cap 0603 10n 50v X7r ±10%	D501		001-10015-30	Diode SMD Vcap BB153 SOD323	L303		052-57423-70	Coil A/W SMD 7t/2.3mm .57mm	Q201		000-10085-71	Xstr SMD BC857BW PNP SOT323
C621		018-16100-00	Cap 0603 100n 16v x7r + - 10%	D502		001-10005-35	Diode SMD BB535 Vcap SOD323	L306		057-10081-07	Ind 1806 BLM41PG102SN Emi Supr	Q300		000-10951-00	Xstr SMD PBR951 NPN SOT23
C622		018-16100-00	Cap 0603 100n 16v x7r + - 10%	D503		001-10099-01	Diode BAV99w Dual Ss	L310		065-10009-20	Bead Fer SMD Bds3/3/8.9-4s2	Q301		000-10084-71	Xstr BC847BW NPN SOT323
C623		014-07470-10	Cap Tant SMD 4u7 10V 20% 0603	D600		001-10153-00	Diode SMD SM15T30a TranSll Smc	L311		052-57423-70	Coil A/W SMD 7t/2.3mm .57mm	Q302		000-10084-73	Xstr BC847BPNNPN/PNP SOT363
C700		018-13100-10	Cap 0603 100p 50v NPO±1%	D601		001-10070-01	Diode BAV70W Dual Ss SOT323	L313		153-12530-20	Coil S/W SMD 2t/3.0 1.25 1.989	Q303		000-10748-90	Xstr SGA7489 Casc Gain Block
C701		018-13100-10	Cap 0603 100p 50v NPO±1%	D602		001-10054-02	Diode SMD BAT54AW SOT-323	L315		152-57440-90	Coil A/W SMDp 9t/4.0mm .57mm	Q304		000-10084-71	Xstr BC847BW NPN SOT323
C702		018-13100-10	Cap 0603 100p 50v NPO±1%	D603		001-10070-01	Diode BAV70W Dual Ss SOT323	L317		152-12540-40	Coil A/W SMDp 4t/4.0mm 1.25mm	Q305		000-10084-71	Xstr BC847BW NPN SOT323
C703		018-13100-10	Cap 0603 100p 50v NPO±1%	D604		001-10070-01	Diode BAV70W Dual Ss SOT323	L319		152-12533-30	Coil A/W SMDp 3t/3.3mm 1.25mm	Q306		000-10055-03	Xstr PD55003 3w 12.5v SO10 RF
C704		018-14100-00	Cap 0603 1n 50v X7r ±10%	D606		001-10014-03	Diode SMD MBR5140T3 Sch	L320		153-12529-20	Coil s/w SMD 2t/2.9 1.25 1.989	Q307		000-10084-71	Xstr BC847BW NPN SOT323
C705		018-14100-00	Cap 0603 1n 50v X7r ±10%	D700		001-10099-01	Diode BAV99w Dual Ss	L321		152-12533-30	Coil A/W SMDp 3t/3.3mm 1.25mm	Q308		000-10084-71	Xstr BC847BW NPN SOT323
C706		018-15100-00	Cap 0603 10n 50v X7r ±10%	D701		001-10099-01	Diode BAV99w Dual Ss	L322		059-75220-35	Ind SMD 0603 22nh 5% Swi C	Q309		000-10055-15	Xstr PD550155 15w 12.5v SO10RF
C707		018-16100-00	Cap 0603 100n 16v x7r + - 10%	D702		001-10099-01	Diode BAV99w Dual Ss	L330		059-16270-00	Ind SMD 0603cs 270nh 5%	Q310		000-10055-15	Xstr PD550155 15w 12.5v SO10RF
C708		018-15100-00	Cap 0603 10n 50v X7r ±10%	D703		001-10070-01	Diode BAV70W Dual Ss SOT323	L331		059-75100-35	Ind SMD 0603 10nh 5% Swi C	Q311		000-10442-71	Xstr SI4427BDY PCH MOSFET S08
C709		018-15100-00	Cap 0603 10n 50v X7r ±10%	D704		001-10084-33	Diode SMD BZX84C3V3 Zen SOT23	L332		059-75150-85	Ind SMD 1008 15nh 5% Swi C	Q312		000-10084-71	Xstr BC847BW NPN SOT323
C710		018-13470-00	Cap 0603 470p 50v X7r±10%	D705		001-10070-01	Diode BAV70W Dual Ss SOT323	L400		057-00027-10	Ind Fxd 27nh +-5% 1206	Q313		000-10084-71	Xstr BC847BW NPN SOT323
C711		018-13470-00	Cap 0603 470p 50v X7r±10%	D706		001-10070-01	Diode BAV70W Dual Ss SOT323	L401		057-10010-20	Ind 0603 Blm11-B102s 0.1a	Q400		000-10085-70	Xstr BC856 PNP Dual SOT363
C712		018-13470-00	Cap 0603 470p 50v X7r±10%	D707		001-10070-01	Diode								

Parts List

PCB IPN 220-01717-01

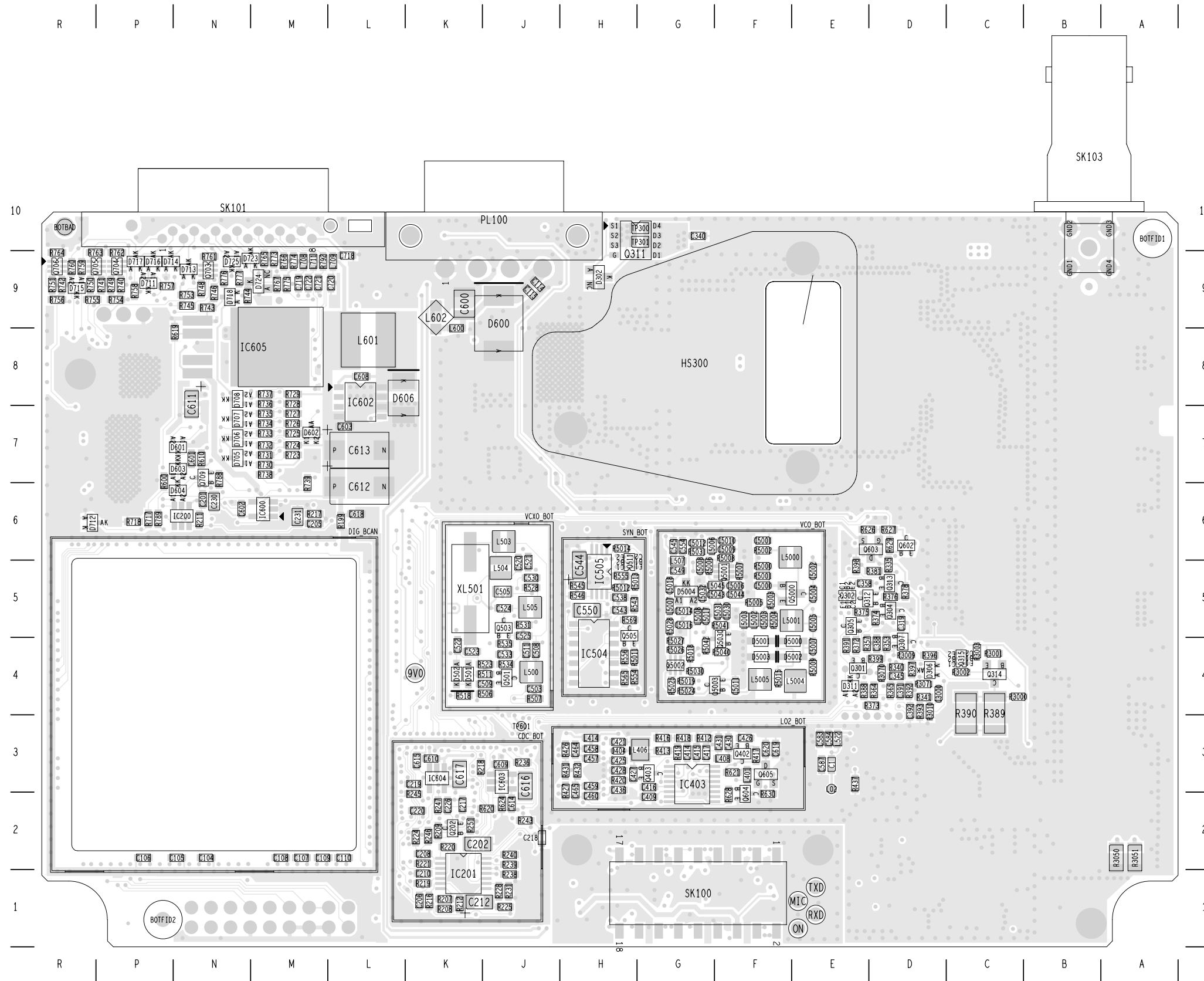
Ref	Car	IPN	Description	Ref	Car	IPN	Description	Ref	Car	IPN	Description	Ref	Car	IPN	Description
Q702		000-10084-71	Xstr BC847BW NPN SOT323	R300		036-02680-02	RES 1206 68R 5% 0.25W 200V	R384		038-13100-10	RES 0603 100R 1% 1/10W	R530		038-13100-10	RES 0603 100R 1% 1/10W
Q703		000-10084-73	Xstr BC847BPNNPN/PNP SOT363	R301		036-11180-10	RES 0805 1R8 1% 1/8W	R385		038-14470-10	RES 0603 4k7 1% 100ppm	R531		038-13820-00	RES 0603 820R 5% 1/10W
Q704		000-10084-73	Xstr BC847BPNNPN/PNP SOT363	R302		036-11330-00	RES 0805 3R3 5% 1/8W	R386		038-14220-00	RES 0603 2k2 5% 1/10W	R532		038-14100-10	RES 0603 1k0 1% 1/10W
Q705		000-10084-73	Xstr BC847BPNNPN/PNP SOT363	R303		036-02680-02	RES 1206 68R 5% 0.25W 200V	R387		038-14680-10	RES 0603 6k8 1% 1/10W	R533		038-12220-00	RES 0603 22R 5% 1/10W
Q706		000-10084-73	Xstr BC847BPNNPN/PNP SOT363	R304		038-12470-00	RES 0603 47R 5% 1/10W	R388		038-15470-10	RES 0603 47k 1% 1/10W	R534		038-15100-10	RES 0603 10k 1% 1/10W
Q708		000-10085-71	Xstr SMD BC857BW PNP SOT323	R305		036-13220-10	RES 0805 220R 1% 1/8W	R390		036-03150-07	RES Pwr 2010 150R 5% 0.5W	R535		038-15100-10	RES 0603 10k 1% 1/10W
Q709		000-10085-71	Xstr SMD BC857BW PNP SOT323	R306		038-13330-00	RES 0603 330R 5% 1/10W	R391		038-15470-10	RES 0603 47k 1% 1/10W	R536		038-16100-10	RES 0603 100k 1% 1/10W
Q5000		000-10009-30	Xstr SMD BFR93A NPN SOT23	R307		036-02680-02	RES 1206 68R 5% 0.25W 200V	R392		038-15330-10	RES 0603 33k 1% 1/10W	R537		038-16105-10	RES 0603 105k 1% 1/10W
Q5001		000-10001-72	Xstr R BFS17S NPN SOT363	R308		036-12390-00	RES 0805 39R 5% 1/8W	R393		038-15100-10	RES 0603 10k 1% 1/10W	R538		038-16100-10	RES 0603 100k 1% 1/10W
Q5002		000-10085-70	Xstr BC856 PNP Dual SOT363	R309		038-12470-00	RES 0603 47R 5% 1/10W	R395		036-16100-10	RES 0805 100k 1% 1/8W	R539		038-15100-10	RES 0603 10k 1% 1/10W
Q5003		000-10084-71	Xstr BC847BW NPN SOT323	R310		038-12680-00	RES 0603 68R 5% 1/10W	R397		038-10000-00	RES 0603 OR	R540		038-12470-00	RES 0603 47R 5% 1/10W
Q5004		000-10085-71	Xstr SMD BC857BW PNP SOT323	R312		038-10000-00	RES 0603 OR	R398		038-15470-10	RES 0603 47k 1% 1/10W	R541		038-13560-10	RES 0603 560R 1% 1/10W
Q5030		000-10001-71	Xstr RF BFS17W NPN SOT323UHF	R313		038-16100-10	RES 0603 100k 1% 1/10W	R399		038-15470-10	RES 0603 47k 1% 1/10W	R542		038-10000-00	RES 0603 OR
R100		038-14470-10	Res 0603 4k7 1% 100ppm	R314		038-15560-10	RES 0603 56k 1% 1/10W	R400		038-15100-10	RES 0603 10k 1% 1/10W	R543		038-12470-00	RES 0603 47R 5% 1/10W
R101		038-14470-10	Res 0603 4k7 1% 100ppm	R315		038-16100-10	RES 0603 100k 1% 1/10W	R401		038-16100-10	RES 0603 100k 1% 1/10W	R544		038-12470-00	RES 0603 47R 5% 1/10W
R102		038-14220-00	RES 0603 2k2 5% 1/10W	R316		038-13270-10	RES 0603 270R 1% 1/10W	R403		038-14100-10	RES 0603 1k0 1% 1/10W	R545		038-15180-00	RES 0603 18k 5% 1/10W
R103		038-14220-00	RES 0603 2k2 5% 1/10W	R317		038-14180-00	RES 0603 1k8 5% 1/10W	R404		038-10000-00	RES 0603 OR	R546		038-15180-00	RES 0603 18k 5% 1/10W
R104		038-14220-00	RES 0603 2k2 5% 1/10W	R318		038-16220-00	RES 0603 220k 5% 1/10W	R406		038-15270-10	RES 0603 47k 1% 1/10W	R547		038-13270-10	RES 0603 270R 1% 1/10W
R105		038-16100-10	RES 0603 100k 1% 1/10W	R319		038-12180-00	RES 0603 18R 5% 1/10W	R407		038-16330-10	RES 0603 330k 1% 1/10W	R548		038-12220-00	RES 0603 22R 5% 1/10W
R106		038-14470-10	Res 0603 4k7 1% 100ppm	R320		036-12820-00	RES 0805 82R 5% 1/8W	R408		038-15100-10	RES 0603 10k 1% 1/10W	R549		038-12220-00	RES 0603 22R 5% 1/10W
R107		038-14470-10	Res 0603 4k7 1% 100ppm	R321		038-15330-10	RES 0603 33k 1% 1/10W	R409		038-13680-00	RES 0603 680R 5% 1/10W	R550		038-15180-00	RES 0603 18k 5% 1/10W
R108		038-13680-00	RES 0603 680R 5% 1/10W	R322		038-12220-00	RES 0603 220k 5% 1/10W	R410		038-12220-00	RES 0603 22R 5% 1/10W	R551		038-14270-00	RES 0603 2k7 5% 1/10W
R109		038-13820-00	RES 0603 820R 5% 1/10W	R323		038-16100-10	RES 0603 100k 1% 1/10W	R411		038-12820-00	RES 0603 82R 5% 1/10W	R552		038-15120-10	RES 0603 12k 1% 1/10W
R110		038-14470-10	Res 0603 4k7 1% 100ppm	R324		038-17100-10	RES 0603 1M 1% 1/10W	R412		038-14330-10	RES 0603 3k3 1% 1/10W	R554		038-13820-00	RES 0603 820R 5% 1/10W
R199		038-10000-00	RES 0603 OR	R326		038-14100-10	RES 0603 1k0 1% 1/10W	R413		038-14270-00	RES 0603 2k7 5% 1/10W	R555		038-16100-10	RES 0603 100k 1% 1/10W
R200		038-15470-10	RES 0603 47k 1% 1/10W	R327		038-15100-10	RES 0603 10k 1% 1/10W	R414		038-12150-10	RES 0603 15R 1% 1/10W	R556		038-14390-10	RES 0603 3k9 1% 1/10W
R201		038-15470-10	RES 0603 47k 1% 1/10W	R328		036-12100-10	RES 0805 10R 1% 1/8W	R415		038-13680-00	RES 0603 680R 5% 1/10W	R557		038-14220-00	RES 0603 2k2 5% 1/10W
R202		038-15470-10	RES 0603 47k 1% 1/10W	R329		036-12100-10	RES 0805 10R 1% 1/8W	R416		038-15220-10	RES 0603 22k 1% 1/10W	R560		038-14220-00	RES 0603 2k2 5% 1/10W
R203		038-15470-10	RES 0603 47k 1% 1/10W	R330		038-11470-00	RES 0603 4R7 5% 1/10W	R417		038-14470-10	Res 0603 4k7 1% 100ppm	R563		038-12330-20	RES 0603 33R0 0.5% 1/10W
R204		038-15470-10	RES 0603 47k 1% 1/10W	R331		038-16100-10	RES 0603 100k 1% 1/10W	R418		038-14680-10	RES 0603 6k8 1% 1/10W	R565		038-14180-00	RES 0603 1k8 5% 1/10W
R205		038-14560-00	RES 0603 5k6 5% 1/10W	R332		038-14100-10	RES 0603 1k0 1% 1/10W	R419		038-12150-10	RES 0603 15R 1% 1/10W	R566		038-15270-20	RES 0603 27k 0.5% 1/10W
R206		038-14330-10	RES 0603 3k3 1% 1/10W	R333		038-10000-00	RES 0603 OR	R420		038-14100-10	RES 0603 1k0 1% 1/10W	R568		038-14330-10	RES 0603 3k3 1% 1/10W
R207		038-14120-10	RES 0603 1k2 1% 1/10W	R334		038-14100-10	RES 0603 1k0 1% 1/10W	R421		038-15100-10	RES 0603 10k 1% 1/10W	R569		038-16100-10	RES 0603 100k 1% 1/10W
R208		038-14120-10	RES 0603 1k2 1% 1/10W	R335		038-11470-00	RES 0603 4R7 5% 1/10W	R422		038-16100-10	RES 0603 100k 1% 1/10W	R570		038-15270-20	RES 0603 27k 0.5% 1/10W
R209		038-14150-00	RES 0603 1k5 5% 1/10W	R336		038-15100-10	RES 0603 10k 1% 1/10W	R423		038-16100-10	RES 0603 100k 1% 1/10W	R571		038-13390-10	RES 0603 390R 1% 1/10W
R210		038-15470-10	RES 0603 47k 1% 1/10W	R337		038-11470-00	RES 0603 4R7 5% 1/10W	R424		038-12470-00	RES 0603 47R 5% 1/10W	R573		038-12330-20	RES 0603 33R0 0.5% 1/10W
R211		038-14100-10	RES 0603 1k0 1% 1/10W	R338		036-12820-00	RES 0805 82R 5% 1/8W	R425		038-14220-00	RES 0603 2k2 5% 1/10W	R594		038-14270-00	RES 0603 2k7 5% 1/10W
R212		038-14470-10	Res 0603 4k7 1% 100ppm	R339		038-14470-10	Res 0603 4k7 1% 100ppm	R426		038-14150-00	RES 0603 1k5 5% 1/10W	R598		038-14270-00	RES 0603 2k7 5% 1/10W
R213		038-10000-00	RES 0603 OR	R340		038-14330-10	RES 0603 3k3 1% 1/10W	R427		038-14150-00	RES 0603 1k5 5% 1/10W	R600		038-15330-10	RES 0603 3k3 1% 1/10W
R214		038-10000-00	RES 0603 OR	R341		038-14330-10	RES 0603 3k3 1% 1/10W	R428		038-13820-00	RES 0603 820R 5% 1/10W	R601		038-15330-10	RES 0603 3k3 1% 1/10W
R215	TM8100	038-10000-00	RES 0603 OR	R342		038-17221-10	RES 0603 2M21 1% 1/10W	R430		038-15390-10	RES 0603 39k2 1% 1/10W	R602		038-10000-00	RES 0603 OR
R215	TM8200	not fitted		R343		036-11470-00	RES 0805 4R7 5% 1/8W	R431		038-17100-10	RES 0603 1M 1% 1/10W	R603		038-14100-10	RES 0603 1k0 1% 1/10W
R216		038-14470-10	Res 0603 4k7 1% 100ppm	R345		038-10000-00	RES 0603 OR	R432		038-17100-10	RES 0603 1M 1% 1/10W	R604		038-13270-10	RES 0603 270R 1% 1/10W
R217		038-14150-00	RES 0603 1k5 5% 1/10W	R346		038-14220-00	RES 0603 2k2 5% 1/10W	R433		038-14560-00	RES 0603 5k6 5% 1/10W	R607		038-15100-10	RES 0603 10k 1% 1/10W
R218		038-14150-00	RES 0603 1k5 5% 1/10W	R347		038-16100-10	RES 0603 100k 1% 1/10W	R434		038-16100-10	RES 0603 100k 1% 1/10W	R610		038-15120-10	RES 0603 12k 1% 1/10W
R219		038-15100-10	RES 0603 10k 1% 1/10W	R348		036-03220-03	RES Pwr 1218 220R 5% 1W	R435		038-13560-10	RES 0603 560R 1% 1/10W	R611		038-11470-00	RES 0603 4R7 5% 1/10W
R220		038-15100-10	RES 0603 10k 1% 1/10W	R350		038-14470-10	Res 0603 4k7 1% 100ppm	R436		038-14150-00	RES 0603 1k5 5% 1/10W	R612		038-10000-00	RES 0603 OR
R221		038-16180-00	RES 0603 180k 5% 1/10W	R351		036-03220-03	RES Pwr 1218 220R 5% 1W	R437		038-15100-10	RES 0603 10k 1% 1/10W	R614		038-10000-00	RES 0603 OR
R222		038-16100-10	RES 0603 100k 1% 1/10W	R353		038-16100-10	RES 0603 100k 1% 1/10W	R500		038-16100-10	RES 0603 100k 1% 1/10W	R615		038-15470-10	RES 0603 47k 1% 1/10W
R223		038-14390-10	RES 0603 3k9 1% 1/10W	R354		038-13100-10	RES 0603 100R 1% 1/10W	R501		038-12220-00	RES 0603 22R 5% 1/10W	R616		038-15470-10	RES 0603 47k 1% 1/10W
R224		038-15150-10	RES 0603 15k 1% 1/10W	R355		036-03110-10	RES Pwr 2512 10R 5% 1W	R502		038-16100-10	RES 0603 100k 1% 1/10W	R617		038-15470-10	RES 0603 47k 1% 1/10W
R225		038-12470-00	RES 0603 47R 5% 1/10W	R356		038-13100-10	RES 0603 100R 1% 1/10W	R503		038-12220-00	RES 0603 22R 5% 1/10W	R619		038-15470-10	RES 0603 47k 1% 1/10W
R226		038-14220-00	RES 0603 2k2 5% 1/10W	R357		038-15100-10	RES 0603 10k 1% 1/10W	R504		038-16150-10	RES 0603 150k 1% 1/10W	R620		038-16100-10	RES 0603 100k 1% 1/10W
R227		038-14220-00	RES 0603 2k2 5% 1/10W	R360		038-16100-10	RES 0603 100k 1% 1/10W	R505		038-13100-10	RES 0603 100R 1% 1/10W	R624		038-15470-10	RES 0603 47k 1% 1/10W
R228		038-15100-10	RES 0603 10k 1% 1/10W	R361		038-16100-10	RES 0603 100k 1% 1/10W	R506		038-13820-00	RES 0603 820R 5% 1/10W	R626		038-15470-10	RES 0603 47k 1% 1/10W
R229		038-15470-10	RES 0603 47k 1% 1/10W	R362		038-16820-00	RES 0603 820k 5% 1/10W	R507		038-12470-00	RES 0603 47R 5% 1/10W	R627		038-15470-10	RES 0603 47k 1% 1/10W
R230		038-15470-10	RES 0603 47k 1% 1/10W	R363		038-16820-00	RES 0603 820k 5% 1/10W	R508		038-1					

Parts List

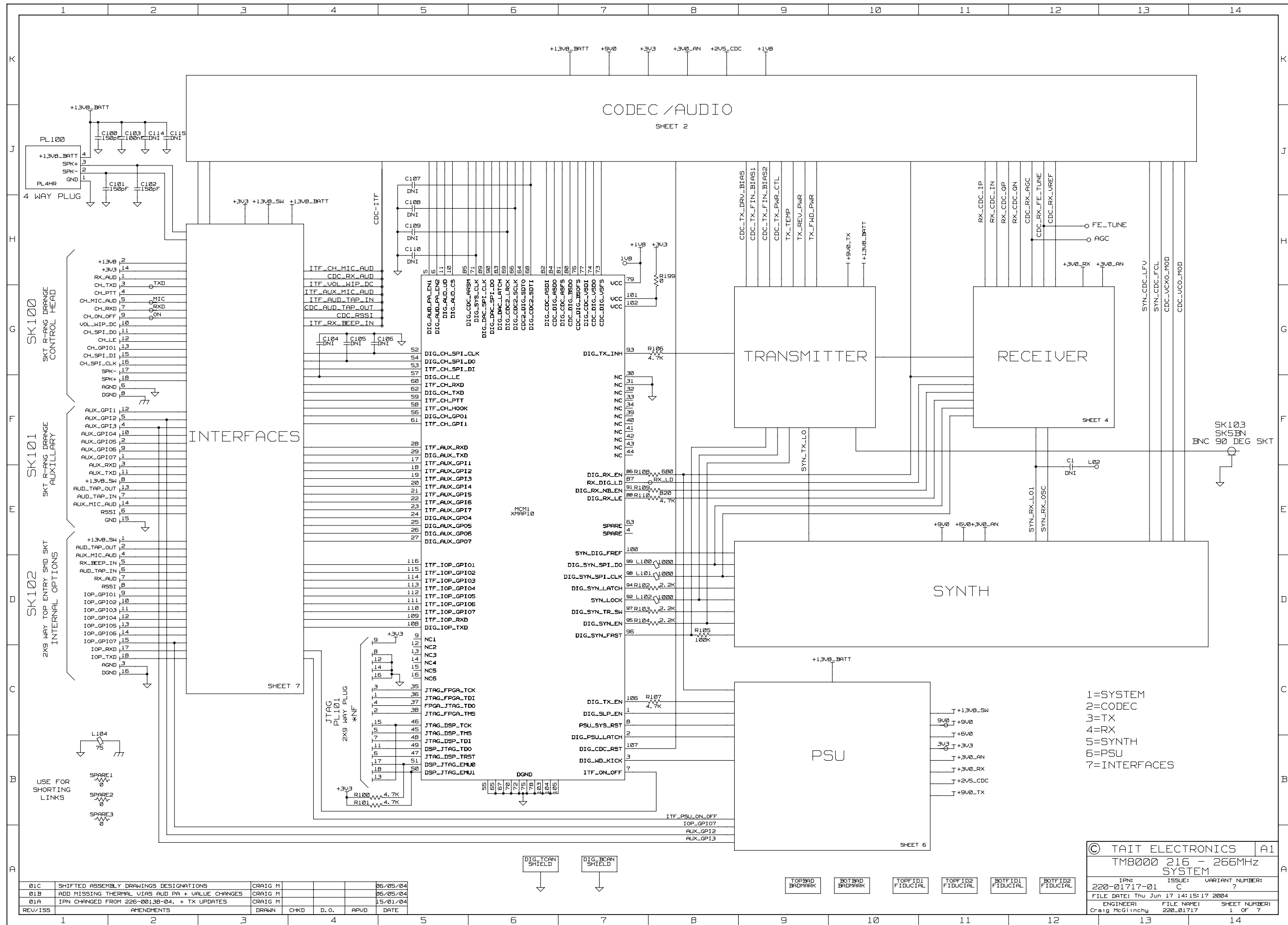
Ref	Car	IPN	Description	Ref	Car	IPN	Description
R718		038-15100-10	RES 0603 10k 1% 1/10W	R5006		038-14150-00	RES 0603 1k5 5% 1/10W
R719		038-14560-00	RES 0603 5k6 5% 1/10W	R5007		038-13820-00	RES 0603 820R 5% 1/10W
R720		038-15100-10	RES 0603 10k 1% 1/10W	R5008		038-14100-10	RES 0603 1k0 1% 1/10W
R721		038-15470-10	RES 0603 47k 1% 1/10W	R5009		038-12270-00	RES 0603 27R 5% 1/10W
R722		038-13560-10	RES 0603 560R 1% 1/10W	R5010		038-15100-10	RES 0603 10k 1% 1/10W
R723		038-15330-10	RES 0603 33k 1% 1/10W	R5011		038-15220-10	RES 0603 22k 1% 1/10W
R724		038-15330-10	RES 0603 33k 1% 1/10W	R5012		038-14220-00	RES 0603 2k2 5% 1/10W
R725		038-15330-10	RES 0603 33k 1% 1/10W	R5014		038-15100-10	RES 0603 10k 1% 1/10W
R726		038-15330-10	RES 0603 33k 1% 1/10W	R5015		038-12270-00	RES 0603 27R 5% 1/10W
R727		038-15330-10	RES 0603 33k 1% 1/10W	R5018		038-10000-00	RES 0603 OR
R728		038-15330-10	RES 0603 33k 1% 1/10W	R5019		038-14470-10	Res 0603 4k7 1% 100ppm
R729		038-15330-10	RES 0603 33k 1% 1/10W	R5021		038-15150-10	RES 0603 15k 1% 1/10W
R730		038-15330-10	RES 0603 33k 1% 1/10W	R5023		038-14560-00	RES 0603 5k6 5% 1/10W
R731		038-14100-10	RES 0603 1k0 1% 1/10W	R5024		038-16100-10	RES 0603 100k 1% 1/10W
R732		038-14100-10	RES 0603 1k0 1% 1/10W	R5025		038-15220-10	RES 0603 22k 1% 1/10W
R733		038-14100-10	RES 0603 1k0 1% 1/10W	R5026		038-14470-10	Res 0603 4k7 1% 100ppm
R734		038-14100-10	RES 0603 1k0 1% 1/10W	R5027		038-14470-10	Res 0603 4k7 1% 100ppm
R735		038-14100-10	RES 0603 1k0 1% 1/10W	R5028		038-10000-00	RES 0603 OR
R736		038-14100-10	RES 0603 1k0 1% 1/10W	R5030		038-14470-10	Res 0603 4k7 1% 100ppm
R737		038-14100-10	RES 0603 1k0 1% 1/10W	R5031		038-13120-00	RES 0603 120R 5% 1/10W
R738		038-14100-10	RES 0603 1k0 1% 1/10W	R5040		038-14390-10	RES 0603 3k9 1% 1/10W
R739		038-14100-10	RES 0603 1k0 1% 1/10W	R5041		038-14820-00	RES 0603 8k2 5% 1/10W
R740		038-16100-10	RES 0603 100k 1% 1/10W	R5042		038-14120-10	RES 0603 1k2 1% 1/10W
R741		038-16100-10	RES 0603 100k 1% 1/10W	SK100		240-10006-00	Skt SMD Dual Row Ra 2.54mm
R742		038-16100-10	RES 0603 100k 1% 1/10W	SK101		240-02022-00	Skt Drrg 15Way Ra S/Line Fem
R743		038-14100-10	RES 0603 1k0 1% 1/10W	SK102		240-10000-11	Conn SMD 18w Skt M/Match
R744		038-12470-00	RES 0603 47R 5% 1/10W	SK103		240-00028-00	Conn Rf Female BNC TMA
R745		038-16100-10	RES 0603 100k 1% 1/10W	SPARE1		036-10000-00	RES 0805 OR 1/8W
R746		038-15100-10	RES 0603 10k 1% 1/10W	SPARE2		036-10000-00	RES 0805 OR 1/8W
R747		038-10000-00	RES 0603 OR	SPARE3		036-10000-00	RES 0805 OR 1/8W
R748		038-14470-10	Res 0603 4k7 1% 100ppm	SYN_BOT		319-01205-00	Shld Top Side VCO T/Orca
R749		038-14470-10	Res 0603 4k7 1% 100ppm	SYN_TOP		319-01260-00	Shld Can Synth 6.7mm TMA
R750		038-14470-10	Res 0603 4k7 1% 100ppm	T400		050-10061-70	Bal Mxr SMD 617db-1018
R751		038-14470-10	Res 0603 4k7 1% 100ppm	T401		050-10061-70	Bal Mxr SMD 617db-1018
R753		038-14470-10	Res 0603 4k7 1% 100ppm	VCO_BOT		319-01206-01	Shld Bttm Side VCO T/Orca
R754		038-14470-10	Res 0603 4k7 1% 100ppm	VCXO_BOT		319-01257-00	Shld Can Frt End TMA
R755		038-14470-10	Res 0603 4k7 1% 100ppm	XF400		276-10000-19	Filtr Xtal 21.4m 13k B/W -E13a
R756		038-14470-10	Res 0603 4k7 1% 100ppm	XF401		276-10000-10	Filtr Xtal 21.4m 15k B/W
R757		038-15470-10	RES 0603 47k 1% 1/10W	XL500		539-10011-00	Vctcxo 13.0MHz +-1.5ppm -30+80
R758		038-15470-10	RES 0603 47k 1% 1/10W	XL501		274-10022-00	Xtal 13.0133MHz Hc-49/Sm+30ppm
R759		038-15470-10	RES 0603 47k 1% 1/10W				
R760		038-15470-10	RES 0603 47k 1% 1/10W				
R761		038-12560-00	RES 0603 56R 5% 1/10W				
R762		038-12560-00	RES 0603 56R 5% 1/10W				
R763		038-12560-00	RES 0603 56R 5% 1/10W				
R764		038-12560-00	RES 0603 56R 5% 1/10W				
R765		038-15470-10	RES 0603 47k 1% 1/10W				
R766		038-15470-10	RES 0603 47k 1% 1/10W				
R767		038-15470-10	RES 0603 47k 1% 1/10W				
R768		038-10000-00	RES 0603 OR				
R769		036-15330-10	RES 0805 33k 1% 1/8W				
R770		036-15330-10	RES 0805 33k 1% 1/8W				
R771		036-15330-10	RES 0805 33k 1% 1/8W				
R772		036-15330-10	RES 0805 33k 1% 1/8W				
R773		038-15330-10	RES 0603 33k 1% 1/10W				
R774		038-15330-10	RES 0603 33k 1% 1/10W				
R776		038-15100-10	RES 0603 10k 1% 1/10W				
R777		038-13820-00	RES 0603 820R 5% 1/10W				
R788		038-13270-10	RES 0603 270R 1% 1/10W				
R789		038-14100-10	RES 0603 1k0 1% 1/10W				
R790		038-13220-10	RES 0603 220R 1% 1/10W				
R792		038-13220-10	RES 0603 220R 1% 1/10W				
R3000		038-10000-00	RES 0603 OR				
R3011		036-03150-07	RES Pwr 2010 150R 5% 0.5W				
R3015		005-10000-10	Test Pt SMD 0805 2.0x1.25x1.45				
R3017		005-10000-10	Test Pt SMD 0805 2.0x1.25x1.45				
R3020		038-12270-00	RES 0603 27R 5% 1/10W				
R3021		036-10000-00	RES 0805 OR 1/8W				
R3022		038-10000-00	RES 0603 OR				
R3070		038-15560-10	RES 0603 56k 1% 1/10W				
R3071		038-15560-10	RES 0603 56k 1% 1/10W				
R5000		038-14560-00	RES 0603 5k6 5% 1/10W				
R5001		038-14270-00	RES 0603 2k7 5% 1/10W				
R5002		038-12680-00	RES 0603 68R 5% 1/10W				
R5003		038-12220-00	RES 0603 22R 5% 1/10W				
R5004		038-13330-00	RES 0603 330R 5% 1/10W				
R5005		038-13100-10	RES 0603 100R 1% 1/10W				

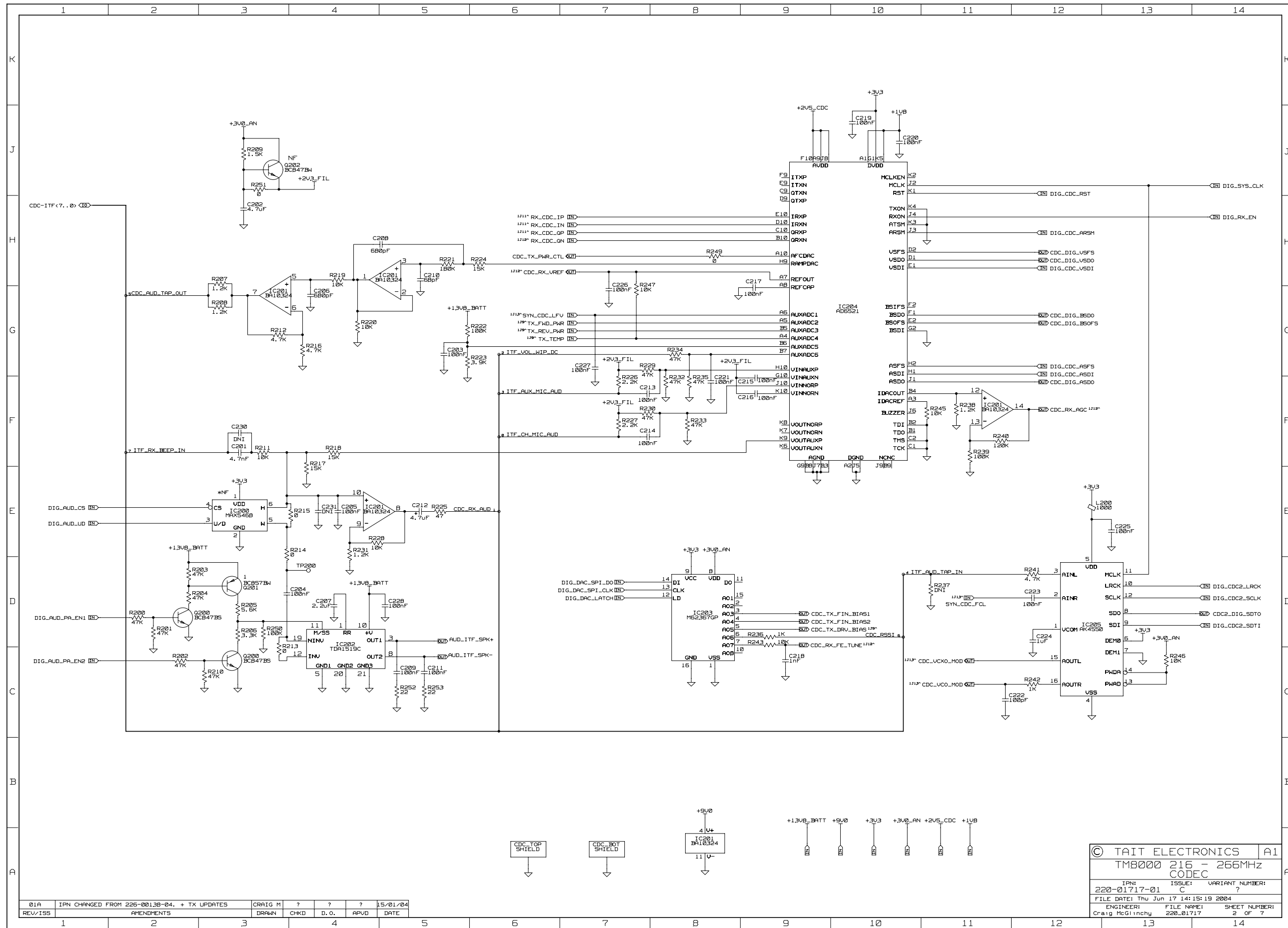
Grid Reference Index

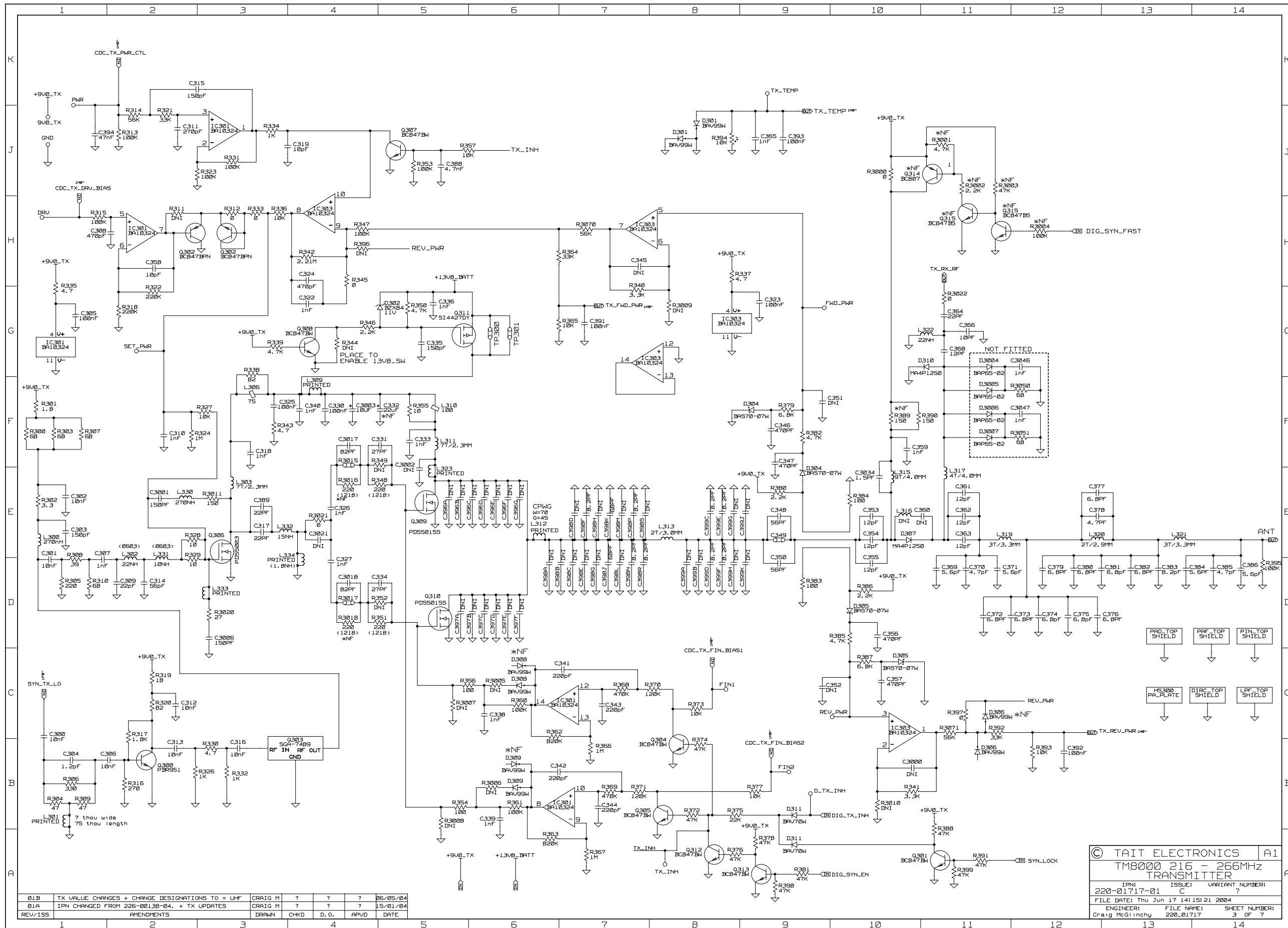
Ref	PCB	Circuit	Ref	PCB	Circuit	Ref	PCB	Circuit	Ref	PCB	Circuit	Ref	PCB	Circuit	Ref	PCB	Circuit	Ref	PCB	Circuit
Q302	2:E5	3H2 3H3	R214	1:N6	2E3	R338	1:H9	3G3	R417	2:F3	4E6	R560	1:H4	5J9	R743	2:N9	7D10	R5009	2:E4	5C10
Q303	1:J7	3B4	R215	1:N6	2E4	R339	1:K10	3G3	R418	2:G3	4D6	R563	1:G4	5F10	R744	2:N9	7D10	R5010	1:H6	5F9
Q304	2:D5	3B8	R216	2:K1	2G4	R340	2:D4	3G7	R419	2:G3	4D6	R565	2:H4	5F10	R745	2:N9	7H10	R5011	2:H4	5E10
Q305	2:E5	3B8	R217	2:M6	2E4	R341	2:D4	3B10	R420	2:H3	4C6	R566	1:G4	5F10	R746	2:N9	7D12	R5012	2:H5	5F8
Q306	1:J8	3E3	R218	2:K3	2F4	R342	1:E4	3H4	R421	1:D1	4H7	R568	1:H6	5H10	R747	1:M9	7C11	R5013	2:H5	5F8
Q307	2:D4	3J5	R219	2:K1	2H4	R343	1:H9	3F3	R422	1:D1	4G7	R569	2:H5	5G10	R748	2:N9	7H11	R5014	2:H6	5E9
Q308	1:K10	3G4	R220	2:K2	2G4	R344	1:J10	3G4	R423	1:E1	4G7	R570	1:G4	5F11	R749	2:P9	7G11	R5015	2:F4	5D10
Q309	1:E8	3E5	R221	2:K2	2H5	R345	1:E4	3H4	R424	1:E3	4F10	R571	1:G4	5F11	R750	2:R9	7F11	R5018	2:G4	5C13
Q310	1:E9	3D5	R222	1:K2	2G5	R346	1:J10	3G4	R425	1:G3	4D12	R573	1:F4	5E11	R751	2:R9	7E11	R5019	2:G4	5E12
Q311	2:H10	3G5	R223	1:K2	2G5	R347	1:D4	3H4	R426	2:H3	4C12	R594	1:G6	5G7	R753	2:N9	7H11	R5021	1:G5	5H13
Q312	2:E5	3A8	R224	2:K2	2H6	R348	1:F8	3E5	R427	1:G5	4C12	R598	1:G5	5J14	R754	2:P9	7F11	R5023	1:G5	5H12
Q313	2:D5	3A9	R225	2:J1	2E5	R349	1:F8	3F5	R428	1:G3	4D12	R600	2:P7	6D2	R755	2:R9	7F11	R5024	2:G4	5E13
Q314	2:C4	3J11	R226	1:J3	2F7	R350	1:J10	3G5	R429	1:G3	4D12	R601	1:L7	6E3	R756	2:R9	7E11	R5025	2:G4	5E12
Q315	2:C4	3H11	R227	1:J2	2F7	R351	1:F9	3D5	R430	1:H2	4C12	R602	1:N6	6B2	R757	2:P9	7H11	R5026	2:G4	5D12
Q400	1:C2	4H3 4H4	R228	2:J1	2E4	R352	1:F8	3D5	R431	2:H3	4C13	R603	1:L9	6D2	R758	2:P9	7G11	R5027	2:G4	5D11
Q401	1:D1	4G5	R229	1:J3	2G7	R353	2:D4	3J5	R432	2:H3	4C13	R604	1:L10	6D2	R759	2:R9	7F11	R5028	2:G5	5D12
Q402	2:F3	4E6	R230	1:K2	2F7	R354	1:F6	3B5	R433	1:F3	4G13	R607	1:L9	6D2	R760	2:R9	7E11	R5030	2:G4	5C13
Q403	2:G3	4D6	R231	2:J1	2E4	R355	1:C9	3F5	R434	1:F3	4H13	R610	2:N7	6D4	R761	2:N9	7H11	R5031	2:G6	5B11
Q404	1:F2	4G14	R232	1:J3	2F8	R356	1:F7	3C5	R435	1:F3	4H14	R611	1:G6	6C4	R762	2:P9	7F11	R5040	2:F4	5B9
Q500	1:K5	5C1	R233	1:K2	2F8	R357	2:E4	3J5	R436	1:F2	4G14	R612	1:F6	6C4	R763	2:R9	7E11	R5041	2:F5	5B9
Q501	2:J4	5D2	R234	1:K2	2G8	R360	1:F7	3C6	R437	2:E3	4A6	R613	1:F6	6C4	R764	2:R9	7E11	R5042	2:G4	5B9
Q502	1:K5	5B3	R235	1:K2	2F8	R361	1:J2	3B6	R500	1:J2	5J1	R614	1:N8	6G4	R765	2:M9	7K11	RESET	1:L7	6B2
Q503	2:J5	5E5	R236	2:J3	2D9	R362	1:D6	3C6	R501	1:K6	5B1	R615	1:N8	6F4	R766	2:M9	7J11	REV_PWR	1:D4	3C10
Q505	2:H5	5G11	R237	1:K1	2D11	R363	1:E6	3A6	R502	1:J2	5J1	R616	1:N8	6F4	R767	2:M9	7J11	RX_LD	1:L4	1E7
Q508	1:G5	5J13 5H13	R238	2:J1	2F11	R364	2:D4	3H6	R503	1:K6	5B2	R617	1:N8	6G5	R768	1:N9	7H11	RXD	2:E1	1G2
Q511	2:H5	5F8	R239	2:J2	2F11	R365	2:D4	3G6	R504	1:K5	5C2	R619	2:N8	6B6	R769	1:N9	7J12	SET_PWR	1:E5	3G2
Q512	1:G5	5G7	R240	2:J2	2F11	R366	1:D6	3B7	R505	1:J2	5J2	R620	2:J2	6D6	R770	1:P9	7G12	SK100	2:G1	1G2 1F2
Q600	1:L9	6D2	R241	1:K1	2D12	R367	1:E6	3A7	R506	2:J4	5C2	R621	2:F3	6D9	R771	1:P9	7F12			1H2
Q601	1:N8	6F5	R242	1:K2	2C12	R368	1:D6	3C7	R507	2:J4	5E2	R624	2:J2	6D6	R772	1:R9	7E12	SK101	2:P10	1F2 1E2
Q602	2:D6	6F7	R243	2:J2	2D9	R369	1:E6	3B7	R508	1:G5	5G8	R626	2:E6	6F7	R773	2:M9	7K12	SK102	1:M8	1D2 1C2
Q603	2:D6	6F8	R245	2:K2	2F11	R370	1:D6	3C8	R509	1:J5	5G2	R627	2:D6	6F7	R774	2:M9	7J12			1E2
Q604	2:F2	6C8	R246	2:K2	2C13	R371	1:E6	3B7	R510	1:J6	5G2	R628	2:F2	6C7	R775	2:M9	7J12	SK103	2:B10	1F14
Q605	2:F3	6D8	R247	2:K2	2G7	R372	2:E4	3B8	R511	2:J4	5C3	R629	2:D6	6F8	R776	2:N9	7D11	SPARE1	1:K7	1B1
Q700	1:F1	7C2	R249	1:K3	2H8	R373	2:D4	3C8	R512	1:J5	5G2	R630	2:F2	6D8	R777	2:N9	7D11	SPARE2	1:K7	1B1
Q701	1:G2	7J2 7J3	R250	1:N7	2D3	R374	2:D5	3B8	R513	1:K5	5J3	R700	1:F1	7E2	R778	1:N9	7J12	SPARE3	1:K6	1B1
Q702	1:N9	7H5	R251	2:K2	2J3	R375	2:E5	3B8	R514	1:K5	5H3	R701	1:F1	7D2	R779	1:P9	7G12	SYN_BOT	2:H5	5A11
Q703	2:N9	7H11 7H10	R252	1:R7	2C5	R376	2:D5	3A8	R515	1:K5	5J3	R702	1:G1	7J2	R780	1:P9	7F12	SYN_TOP	1:G5	5A11
Q704	2:P9	7G10	R253	1:R7	2C5	R377	1:E4	3B9	R517	1:K5	5B3	R703	1:F2	7D3	R781	1:R9	7E12	T400	1:D3	4G9
		7G11	R300	1:J7	3F1	R378	2:D5	3A9	R518	2:K4	5D3	R704	1:H1	7H2	R782	1:N9	7J12	T401	1:E3	4G10
Q705	2:P9	7F11 7F10	R301	1:J7	3F1	R379	1:D4	3F9	R519	1:K4	5J3	R705	1:G1	7J2	R783	1:P9	7G12	TOPBAD	1:R10	1A9
Q706	2:R9	7E11 7E10	R302	1:K7	3E1	R380	1:D5	3E9	R520	1:J5	5J3	R706	1:F1	7C2	R784	1:P9	7F12	TOPFID1	1:A10	1A10
Q707	1:P9	7H12	R303	1:J7	3F1	R381	2:D5	3A9	R521	1:J4	5H3	R707	1:G1	7J2	R785	1:R9	7E12	TOPFID2	1:P1	1A11
Q708	1:R9	7J5	R304	1:H6	3B1	R382	1:D4	3F9	R522	1:J5	5G3	R708	1:G1	7F2	R788	2:N7	7D3	TP200	1:N6	2D4
Q709	2:N7	7D3	R305	1:K7	3D1	R383	1:C4	3D9	R523	2:J4	5C3	R709	1:F1	7C2	R789	2:P6	7D3	TP300	2:G10	3G6
Q5000	2:F5	5C7	R306	1:G6	3B1	R384	1:D3	3E10	R524	1:K4	5G4	R710	1:F1	7B2	R790	1:F2	7B3	TP301	2:G10	3G6
Q5001	2:F5	5C10 5B10	R307	1:J7	3F1	R385	1:C4	3D10	R525	1:J5	5J4	R711	1:G2	7J2	R791	1:M9	7C11	TP500	1:K4	5F3
Q5002	2:G4	5D12	R3070	2:D4	3H7	R386	1:B3	3D10	R526	1:J4	5H4	R712	1:F1	7C2	R792	2:M9	7B12	TP501	1:K4	5G5
Q5003	2:F4	5D13	R3071	2:D4	3C11	R387	1:C4	3C10	R527	1:K4	5F4	R713	1:G2	7J3	R3000	2:C4	3J10	TP502	1:J3	5J6
Q5004	1:G5	5H13	R308	1:K7	3D1	R388	2:E4	3A11	R528	2:J5	5F4	R714	1:G1	7J3	R3001	2:C4	3J11	TP503	1:G4	5J11
Q5030	2:F4	5B9	R309	1:H6	3B1	R389	2:C4	3F10	R529	1:J4	5G4	R715	1:F2	7E3	R3002	2:C4	3J11	TP504	1:J3	5J2
QN	1:H2	4C12	R310	1:K7	3D1	R390	2:C4	3F10	R530	1:H6	5B5	R716	1:F2	7D3	R3003	2:C4	3J11	TP601	2:J3	6D8
R100	1:L1	1B4	R311	1:E5	3H2	R391	2:E4	3A11	R531	2:J5	5E4	R717	2:P6	7C2	R3004	1:L5	3H12	TX_EN	1:L6	6F8
R101	1:L1	1B4	R312	1:E5	3H3	R392	2:D4	3C11	R532	1:J4	5H5	R718	2:P6	7C3	R3005	1:F7	3C6	TX_INH	1:D4	3A8
R102	1:K4	1D8	R313	1:D4	3J2	R393	2:D4	3B12	R533	1:K6	5B1	R719	1:R9	7K5	R3006	1:F6	3B6	TX_TEMP	1:K3	3K9
R103	1:K5	1D8	R314	1:E4	3J2	R394	1:E7	3J8	R534	2:J4	5E5	R720	1:P9	7J5	R3007	1:G7	3C5	TXD	2:E1	1G2
R104	1:K5	1D8	R315	1:D5	3H1	R395	1:B9	3D14	R535	2:J4	5E5	R721	1:N9	7J5	R3008	1:G6	3B5	VCO_BOT	2:F5	5A12
R105	1:K5	1D8	R316	1:H7	3B2	R396	2:D4	3H4	R536	1:K4	5G5	R722	1:N9	7J5	R3009	2:D4	3G8	VCXO_BOT	2:J5	5A10
R106	1:K4	1G8	R317	1:H7	3C2	R397	2:D4	3C11	R537	1:H6	5B5	R723	2:M7	7J7	R3010	2:D4	3B10	XF400	1:F3	4G12
R107	1:L6	1C8	R318	1:E5	3G2	R398	2:E5	3A9	R538	1:J4	5H5	R724	2:M7	7J7	R3011	1:H9	3E3	XL500	1:G3	4D13
R108	1:K3	1E8	R319	1:J7	3C2	R399	2:D4	3A11	R539	1:J4	5H6	R725	2:M7	7H7	R3015	1:G8	3F4		1:J1	5J2
R109	1:K4	1E8	R320	1:H7	3C2	R400	1:C1	4H3	R540	1:J4	5A6	R726	2:M7	7H7	R3016	1:G8	3E4	XL501	2:K5	5E4
R110	1:L4	1E8	R321	1:D5	3J2	R401	1:C1	4G3	R541	1:J6	5F6	R727	2:M7	7G7	R3017	1:G8	3D4			
R199	2:L6	1H8	R322	1:E5	3G2	R402	1:C1	4G3	R542	1:H5	5F7	R728	2:M8	7G7	R3018	1:G9	3D4			
R200	1:N6	2D2	R323	1:D5	3J2	R403	1:J2	4D3	R543	2:H5	5E8	R729	2:M8	7F7	R3020	1:J8	3D3			
R201	1:N7	2D2	R324	1:K8	3F2	R404	1:C1	4G3	R544	1:H5	5J7	R730	2:M7	7E7	R3021	1:G8	3E4			
R202	1:N7	2C2	R326	1:H6	3B2	R405	1:C1	4G3	R545	2:H5	5F7	R731	2:M7	7J8	R3022	1:B2	3G11			
R203	1:N7	2D2	R327	1:J8	3F3	R406	1:C2	4H3	R546	2:H5	5F7	R732	2:M7	7H8	R3050	2:A2	3F12			
R204	1:N7	2D2	R328	1:J8	3E2	R407	1:C2	4G3	R547	1:H5	5F7	R733	2:M7	7H8						

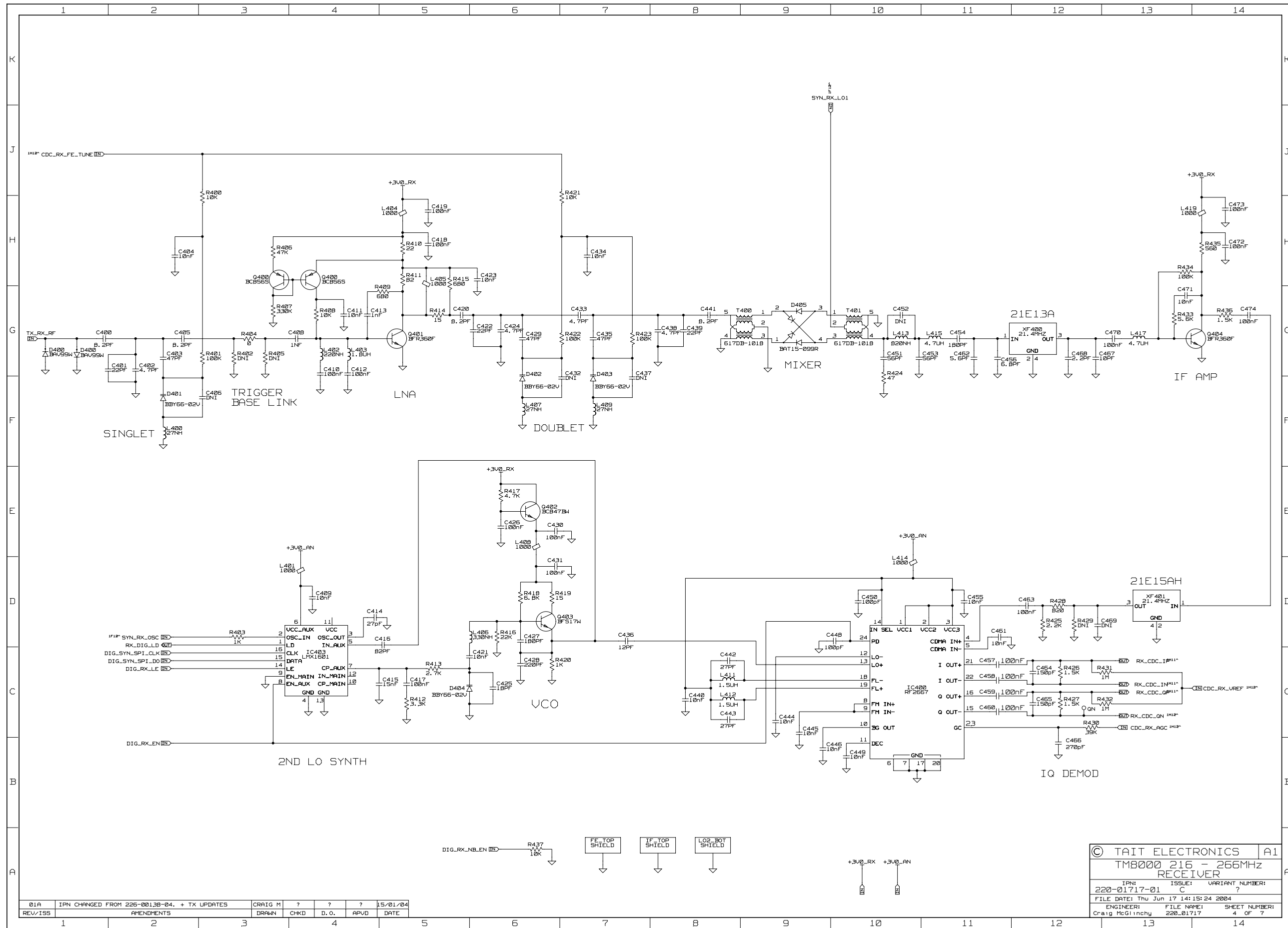


TAIT ELECTRONICS IPN: 220-01717-01 ISS: C DATE: 10Jun04 SCALE: NTS
 TM8000 216 - 266 MHz 220-01717-01C LAYOUT-SECONDARY-SIDE



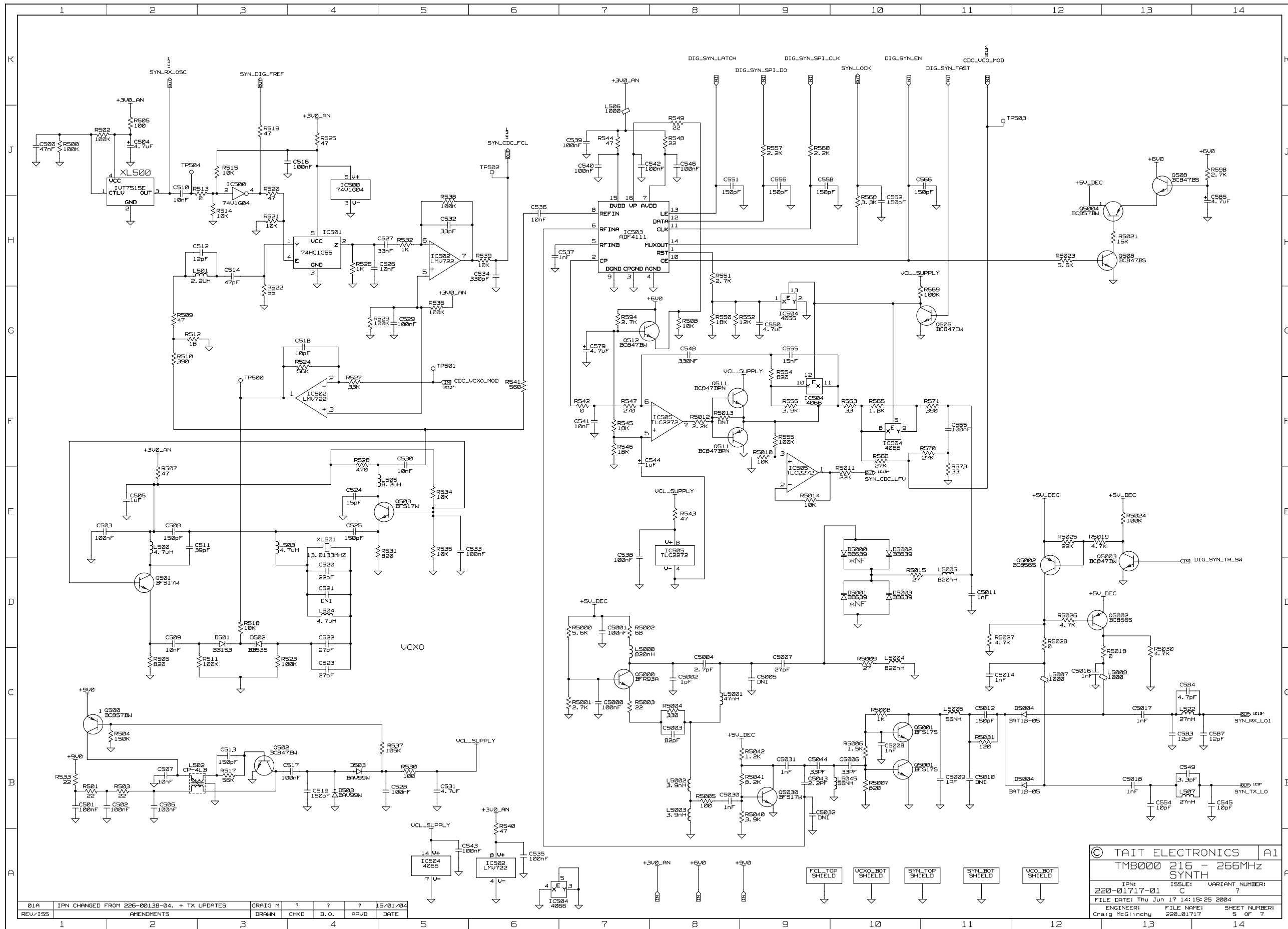


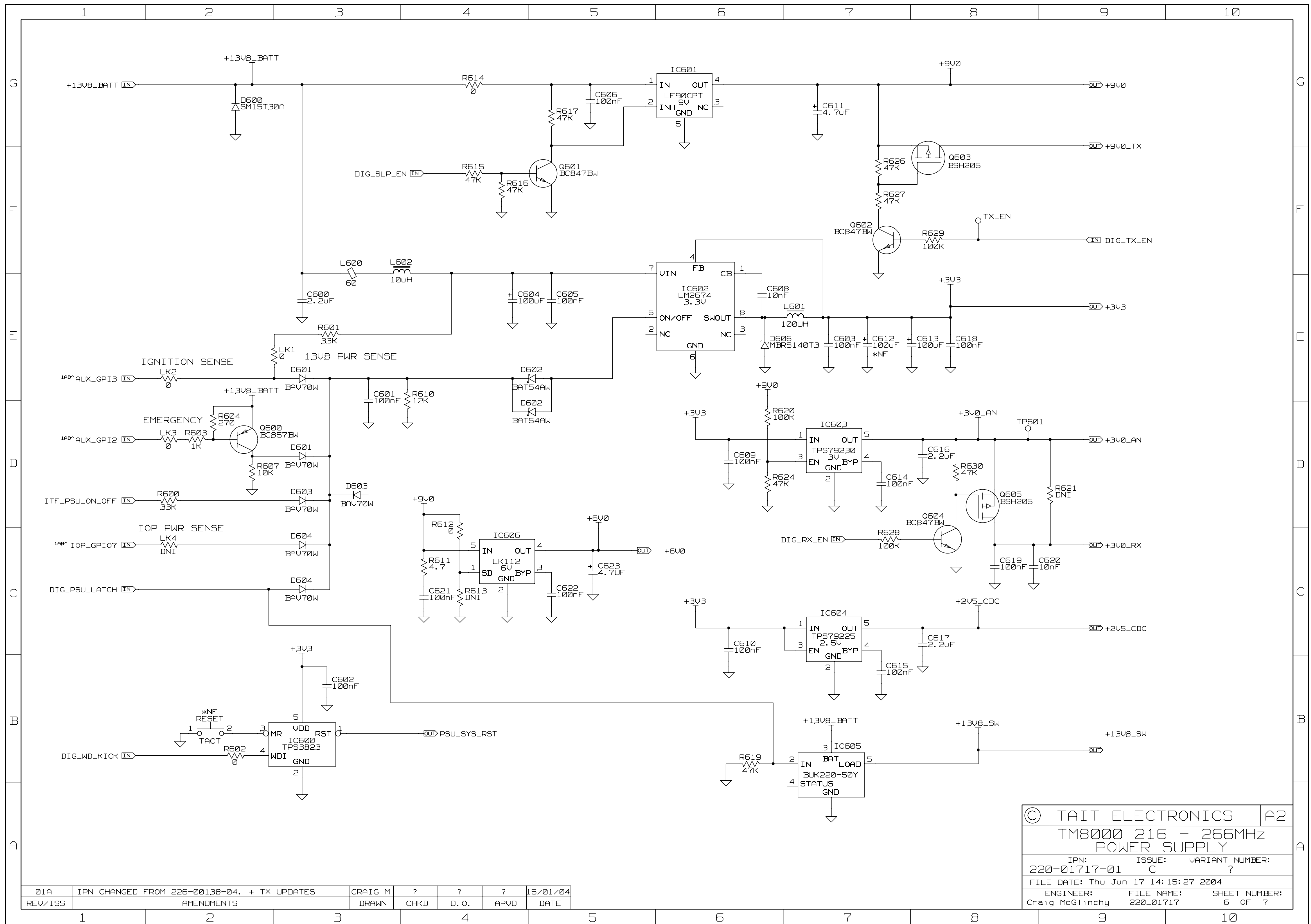




01A	IPN CHANGED FROM 220-00130-04. + TX UPDATES	CRAIG H	?	?	?	15/01/04
REV/ISS	AMENDMENTS	DRAWN	CHKD	D. O.	APVD	DATE

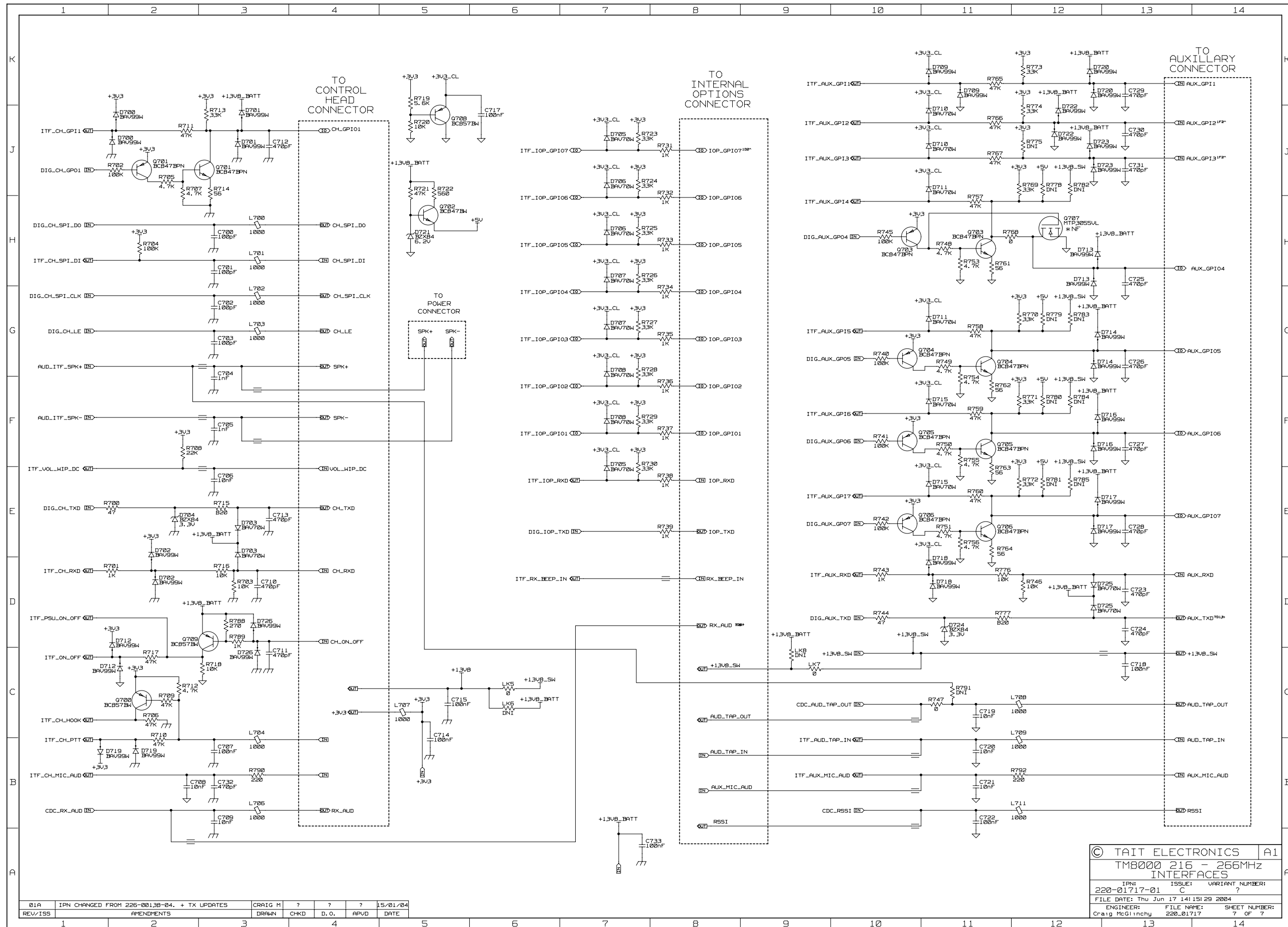
© TAIT ELECTRONICS		A1
TM8000 216 - 265MHZ RECEIVER		
IPN:	ISSUE:	VARIANT NUMBER:
220-01717-01	C	?
FILE DATE: Thu Jun 17 14:15:24 2004		
ENGINEER:	FILE NAME:	SHEET NUMBER:
Craig McGlinchy	220_01717	4 OF 7





© TAIT ELECTRONICS A2
 TM8000 216 - 266MHz
 POWER SUPPLY
 IPN: 220-01717-01 ISSUE: C VARIANT NUMBER: ?
 FILE DATE: Thu Jun 17 14:15:27 2004
 ENGINEER: Craig McGlinchy FILE NAME: 220_01717 SHEET NUMBER: 6 OF 7

01A	IPN CHANGED FROM 226-00138-04. + TX UPDATES	CRAIG M	?	?	?	15/01/04
REV/ISS	AMENDMENTS	DRAWN	CHKD	D. O.	APVD	DATE



© TAIT ELECTRONICS		A1
TM8000 216 - 265MHZ INTERFACES		
IPN: 220-01717-01	ISSUE: C	VARIANT NUMBER: ?
FILE DATE: Thu Jun 17 14:15:29 2004	ENGINEER: Craig McGlinchy	FILE NAME: 220-01717
		SHEET NUMBER: 7 OF 7

01A	IPN CHANGED FROM 226-00138-04. + TX UPDATES	CRAIG H	?	?	?	15/01/04
REV/ISS	AMENDMENTS	DRAWN	CHKD	D.O.	APVD	DATE